

# Control Systems Filters



ETS-Lindgren's LTC Series are ideal for applications including communication lines entering or leaving shielded rooms, computer rooms, communication terminal rooms, and Sensitive Compartmental Information Facilities (SCIF).

The LTC-X640 series filters have multiple circuits to handle 2, 4, 6, 8, 10 or 12 wires, and are designed for stand-alone, individual mounting. The LTC-X640 series filters may be supplied with an optional threaded conduit pipe for penetration of a shielded enclosure.

## Key Features

- For 2 to 12 Line LTC Filters
- Signal, Sensor, DC signaling
- Control Line

## Specifications

### Physical Specifications

Model	Number of Lines	Width
LTC-2640-2055	2	7.62 cm (3.0 in)
LTC-4640-2055	4	15.24 cm (6.0 in)
LTC-6640-2055	6	30.48 cm (12 in)
LTC-8640-2055	8	30.48 cm (12 in)
LTC-10640-2055	10	45.72 cm (18 in)
LTC-12640-2055	12	45.72 cm (18 in)

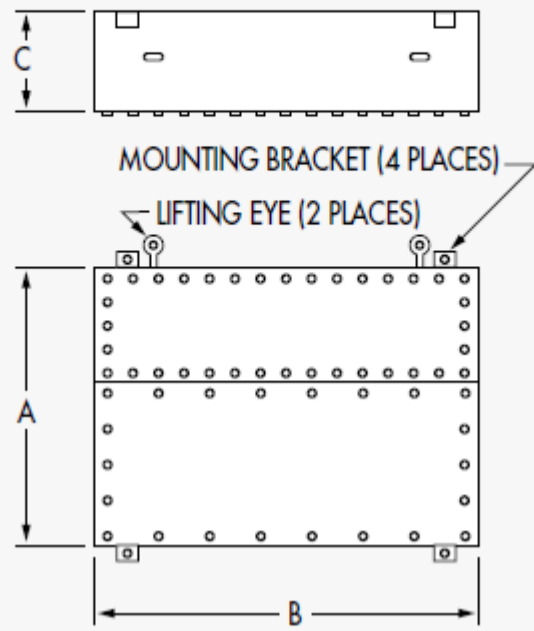
NOTE: For Installation on shield, filters can be ordered with penetration kit. Add "/PEN" to model numbers

### Electrical Specifications

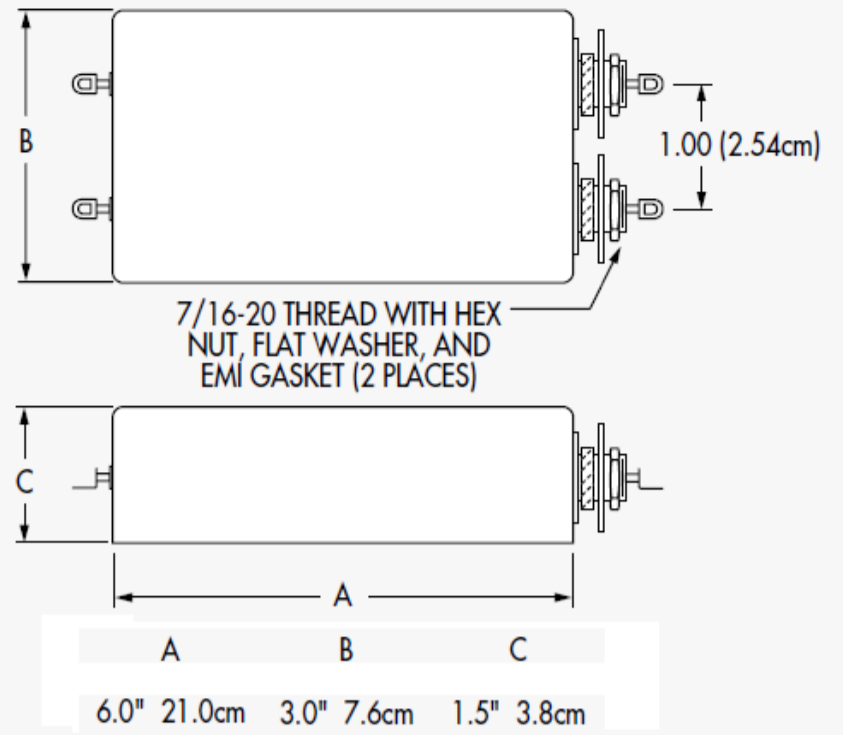
Passband Impedance	Passband Loss	Stopband Insertion Loss	Max Current	Max Voltage
20(L-L)	1.0 dB Maximum	100 dB Minimum @	5 AMP	125 VAC
10(L-G)	0 to 1000 Hz	14 kHz to 20 GHz		

## Charts

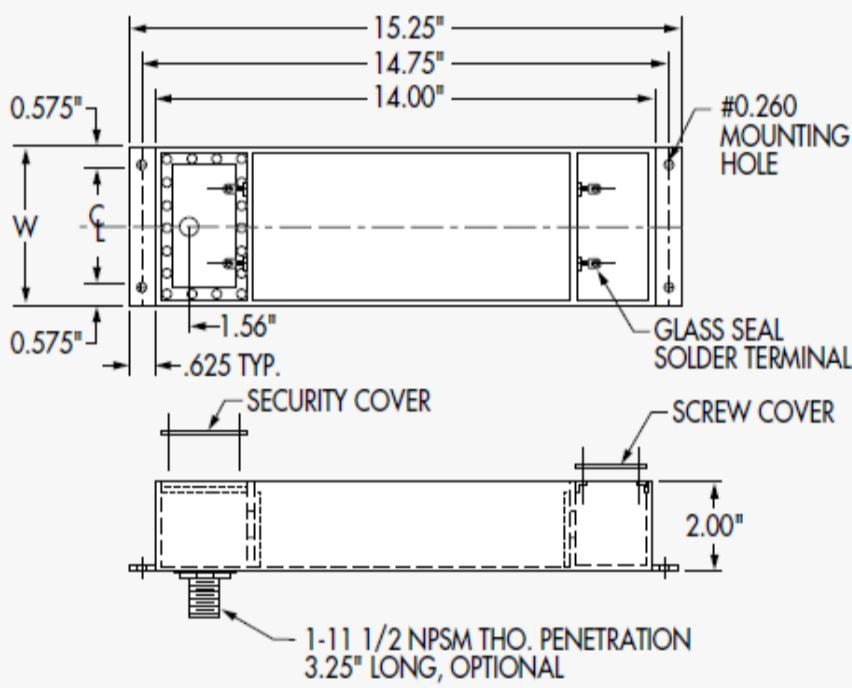
### LPTC Series—Signal/Communication Line Panel Dimensions



### LTC-2650 Signal/Communication Line Filter Case Dimensions



### LTC-X640\* Signal/Communication Line Filter Case Dimensions



LINDGREN PART NUMBER	NUMBER OF LINES	DIMENSIONS "W" (WIDTH)
LTC-2640-**	2	3.00"
LTC-4640-**	4	6.00"
LTC-6640-**	6	12.00"
LTC-8640-**	8	12.00"
LTC-10640-**	10	18.00"
LTC-12640-**	12	18.00"

- \*REPLACE 'X' IN PART NUMBER WITH NUMBER OF LINES (REPLACE 'X' WITH 2 FOR TWO LINES, 4 FOR FOUR LINES, ETC.)
- \*\*ADD PART NUMBER SUFFIX FROM TABLE(S) II, III, OR IV TO INDICATE FILTER PERFORMANCE.
- ADDITIONAL MOUNTING HOLE PROVIDED IN CENTER OF MOUNTING FLANGE ON LTC-6640-\*\*, LTC-8640-\*\*, LTC-10640-\*\*, AND LTC-12640-\*\* STYLE FILTERS.
- PENETRATION ASSEMBLY IS OPTIONAL AND MUST BE SPECIFIED WHEN REQUIRED.